

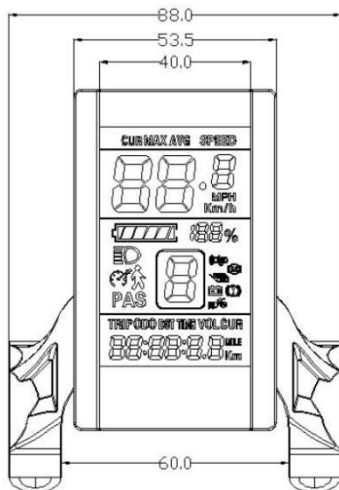
# DP.LCD.02 User Manual



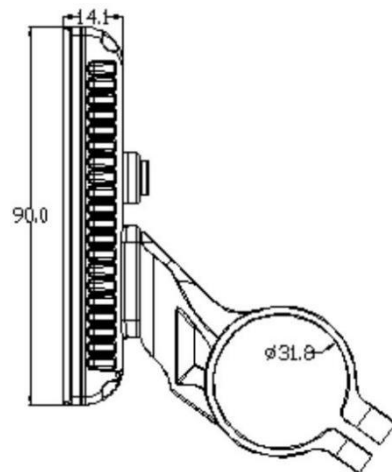
## Exterior Parameters

Casing Material: ABS

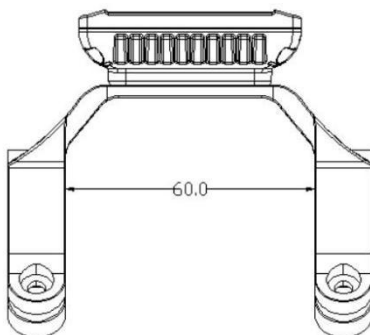
Display Material: High Hardness Acrylic (the same hardness value as tempered glass).



Front View of panel

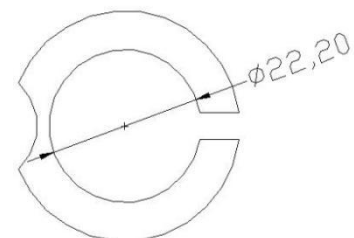


Side view of Panel



Front View of holder

22.2mm、25.4mm、28.6mm is optional



Side view of holder

## Operating Voltage:

DC24V / 36V Compatible, 36/48V Compatible (set by the control panel). Other operating voltage can be customized.

## Functions

### a. Display

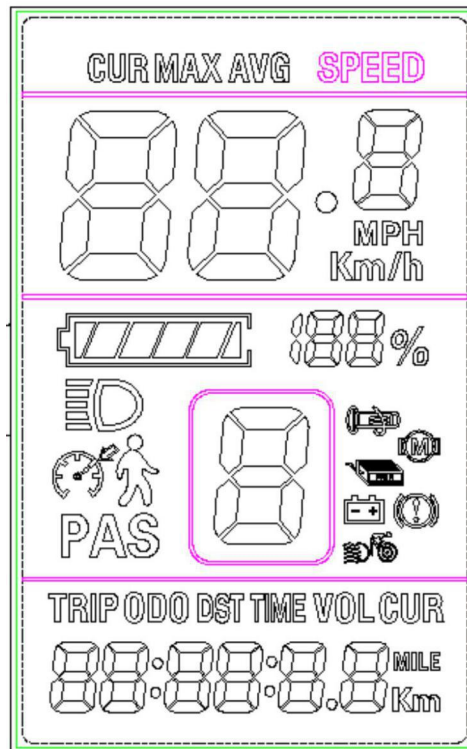
Speed Display, Motor Power Ratio Display, Battery Level Display, Error Indication, Total Mileage, Single Mileage, Cruise Control, Brake Indication, Light Signal

### b. Control and Setting

Power Switch, Front Light Control, Wheel Diameter Setting, 5-Gear Motor Power Setting, Top Speed Setting.

### c. Communications Protocol: UART

Display Readings (display at start for 1 second)



## Display Details

1. Front light:



2. Battery status:



### 3. MultiFunction Display:

- ◆ ODO: Total Mileage
- ◆ TRIP: Single Mileage
- ◆ DST: Not used
- ◆ VOL: Voltage of battery
- ◆ CUR: Operation current
- ◆ TIME: Operation Time

TRIP ODO DST TIME VOL CUR  
88:88:88:88 MILE  
88:88 Km

### 4. Assistant level:



From 0-9, Usually there are 3 models for assistant level, 3 levels, 5 levels and 9 levels.

### 5. Ebike status:



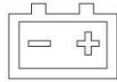
6 km/h Assistance



Assistance riding



Cruise



Undervoltage



Brake operation



Controller malfunction



Motor malfunction



Throttle malfunction

### 6. Speed display:

- ◆ SPEED: Present speed
- ◆ MAX: Max speed
- ◆ AVG: Average speed
- ◆ Speed unit: mph or km/h

CUR MAX AVG SPEED  
88:88:88  
88:88 Km/h

## Settings

- ❖ P01: Backlight Brightness (1: darkest; 3: brightest);
- ❖ P02: Mileage Unit (0: KM; 1: MILE);
- ❖ P03: Voltage Class: 24V/36V/48V;
- ❖ P04: Hibernation Time (0: never, other figures refer to the hibernation time) Unit: minute;

- ❖ P05: Assistant level: 3/5/9 assistant levels are optional. 0/1 on the left side means the starting assistant level.
- ❖ P06: Wheel Diameter Unit: inch Precision: 0.1;
- ❖ P07: Magnets Number for Speed Test Range: 1-255;
- ❖ P08: Speed Limit  
Range: 0-100km/h, parameter 100 indicates no speed limit.
  1. Communications status (controller-controlled)  
The driving speed will be kept constant as the limited value.  
Error Value:  $\pm 1$ km/h (applicable to both the assist power/handlebar speed)  
Note: The above-mentioned values are measured by metric unit (kilometers). When the measuring unit is switched to imperial unit (mile), the speed value displayed on the panel will be automatically switched to corresponding imperial unit, however the speed limit value in the imperial unit interface won't change accordingly.
- ❖ P09: Zero / Non-zero Start Setting:
  - 0: Zero Start
  - 1: Non-zero Start
- ❖ P10: Drive Mode Setting
  - 0: Power Drive – The specific gear of the assist drive decides the assist power value. In this status the throttle does not work.
  - 1: Electric Drive – The vehicle is driven by the throttle. In this status the assistance does not work.
  - 2: Power Drive + Electric Drive – Electric drive does not work in zero-start status.
- ❖ P11: Assistance sensitivity Range: 1-24
- ❖ P12: Assist Power Intensity Range: 0-5
- ❖ P13: Power Magnet Steel Number: 5 / 8 / 12pcs
- ❖ P14: Current Limit Value: Range: 1-20A
- ❖ P15: Under voltage protection
- ❖ P16: ODO Zero-Out: Long press the upper key for 5 seconds and ODO will zero out.

## Keys Introduction

Key operations involve short press, long press and long press of combination keys.

Short press is used for short/frequent operations as:



1. While off, long press "**Power button**" to turn on the panel. While on, short press "**Power button**" to swift from ODO,TRIP,VOL,CUR and etc in multifunction zone.
2. While on, long press "**Power button**" to turn off the panel. Short press "**Up button**" to increase the assistant level, short press "**Down button**" to decrease the assistant level.
3. While on, long press "**Up button**" to turn on/off the front light.
4. Long press "**Up button**" and "**Down button**" simultaneously to access to setting of panel. Then short press "**Power button**" to swift different settings. Short press "**Up button**" to increase the value and short press "**Down button**" to decrease the value. Once having the specifications set, long press "**Up button**" and "**Down button**" simultaneously to Exit the setting interface. If not pressing "**Up button**" and "**Down button**", wait 10 seconds to save the changes.

**Note: Due to product upgrade, the product you purchased may be slightly different from the descriptions in this user manual, and this won't affect normal usage.**